

Flexible Masonry Hanger



The FMHI hanger is used to support joists and trusses from masonry walls in high load situations with 675mm masonry above.

Features & Benefits

- Increased top flange to allow for greater load distribution
- Options available for skewed, offset, dropped and straddle connections

Material Specification

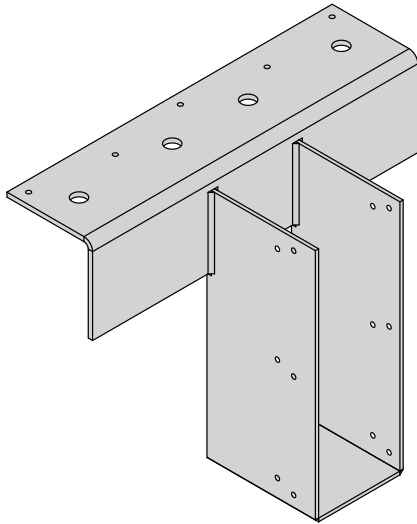
- 4mm top plate & 3mm stirrup - mild steel with zinc phosphate undercoat and an organic bituminous top coat to BS EN845-1:2013+A1:2016

Fixings

Fixings required into incoming member only.

Code	Description	Box Qty
547389	3.4 x 35mm Square Twist Nails - LOOSE	500
141185	3.4 x 35mm Square Twist Nails - COLLATED*	2,500

*For use with Paslode PPN35Ci



FMHI - 4mm top plate, 3mm stirrup, 100mm bearing
 FTHI - 4mm top plate, 4mm stirrup, 150mm bearing

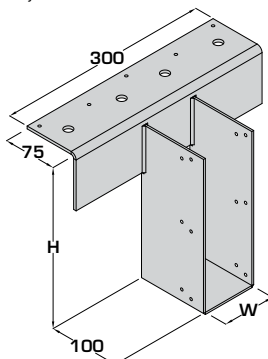
Available Sizes

Hanger Width (W) (mm)	Hanger Depth (H) (mm)								
	150	175	195	225	240	250	300	350	400
39	-	-	FMHI-39-195	FMHI-39-225	FMHI-39-240	FMHI-39-250	FMHI-39-300	FMHI-39-350	FMHI-39-400
46	-	-	FMHI-46-195	FMHI-46-225	FMHI-46-240	FMHI-46-250	FMHI-46-300	FMHI-46-350	FMHI-46-400
50	-	-	FMHI-50-195	FMHI-50-225	FMHI-50-240	FMHI-50-250	FMHI-50-300	FMHI-50-350	-
55	-	-	-	RB-JHI-55-225**	RB-JHI-55-240**	-	RB-JHI-55-300**	-	-
61	-	-	FMHI-61-195	RB-JHI-61-225**	RB-JHI-61-240**	-	RB-JHI-61-300**	FMHI-61-350	FMHI-61-400
65	FMHI-65-150	-	FMHI-65-195	RB-JHI-65-225**	RB-JHI-65-240**	RB-JHI-65-250**	RB-JHI-65-300**	RB-JHI-65-350**	-
72	-	-	RB-JHI-72-195**	RB-JHI-72-225**	RB-JHI-72-240**	-	RB-JHI-72-300**	RB-JHI-72-350**	RB-JHI-72-400**
75	-	-	FMHI-75-195	FMHI-75-225	FMHI-75-240	FMHI-75-250	FMHI-75-300	FMHI-75-350	FMHI-75-400
78	-	-	FMHI-78-195	FMHI-78-225	FMHI-78-240	FMHI-78-250	FMHI-78-300	FMHI-78-350	FMHI-78-400
92	FMHI-92-150	FMHI-92-175	FMHI-92-195	FMHI-92-225	FMHI-92-240	FMHI-92-250	FMHI-92-300	FMHI-92-350	FMHI-92-400
100	-	-	FMHI-100-195	FMHI-100-225	FMHI-100-240	FMHI-100-250	FMHI-100-300	FMHI-100-350	FMHI-100-400
110	-	-	-	RB-JHI-110-225**	RB-JHI-110-240**	-	RB-JHI-110-300**	-	-
122	-	-	FMHI-122-195	RB-JHI-122-225**	RB-JHI-122-240**	-	RB-JHI-122-300**	RB-JHI-122-350**	RB-JHI-122-400**
125	-	-	FMHI-125-195	FMHI-125-225	FMHI-125-240	RB-JHI-125-250**	FMHI-125-300	FMHI-125-350	FMHI-125-400
130	-	-	FMHI-130-195	RB-JHI-130-225**	RB-JHI-130-240**	-	RB-JHI-130-300**	RB-JHI-130-350**	-
138	-	-	FMHI-138-195	RB-JHI-138-225**	RB-JHI-138-240**	RB-JHI-138-250**	RB-JHI-138-300**	RB-JHI-138-350**	RB-JHI-138-400**
144	-	-	FMHI-144-195	RB-JHI-144-225**	RB-JHI-144-240**	-	RB-JHI-144-300**	RB-JHI-144-350**	RB-JHI-144-400**
150	-	-	RB-JHI-150-195**	RB-JHI-150-225**	RB-JHI-150-240**	RB-JHI-150-250**	RB-JHI-150-300**	RB-JHI-150-350**	RB-JHI-150-400**
183	-	-	FMHI-183-195	RB-JHI-183-225**	RB-JHI-183-240**	-	RB-JHI-183-300**	RB-JHI-183-350**	RB-JHI-183-400**
198	-	-	FMHI-198-195	RB-JHI-198-225**	RB-JHI-198-240**	RB-JHI-198-250**	RB-JHI-198-300**	FMHI-198-350	FMHI-198-400
225	-	-	-	RB-JHI-225-225**	RB-JHI-225-240**	RB-JHI-225-250**	RB-JHI-225-300**	FMHI-225-350	FMHI-225-400
250	-	-	-	RB-JHI-250-225**	RB-JHI-250-240**	RB-JHI-250-250**	RB-JHI-250-300**	FMHI-250-350	FMHI-250-400
300	-	-	-	FMHI-300-225	-	FMHI-300-250	FMHI-300-300	FMHI-300-350	FMHI-300-400

**FMHI hanger can be swapped directly with RB-JHI

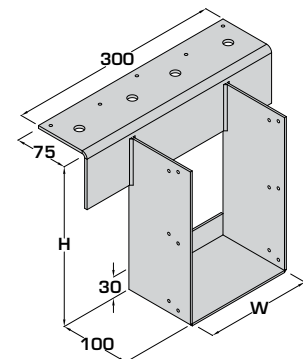
Dimensions (mm)

FMHI 39 - 144MM WIDE



FMHI-W-H
 Example: FMHI-100-225

FMHI 150 - 300MM WIDE

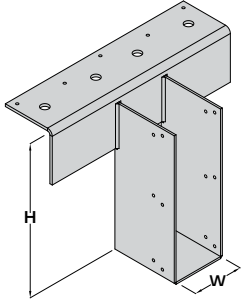


FMHI-W-H
 Example: FMHI-225-350

Flexible Masonry Hanger

Dimensions (mm) - Continued

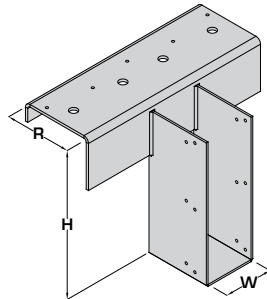
FMHI



FMHI-W-H

Example:
FMHI-75-225

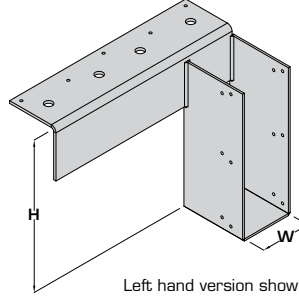
FMHIR - RETURN



FMHIR-W-H-R

Example:
FMHIR-100-225-100
(2mm added to return for tolerance)

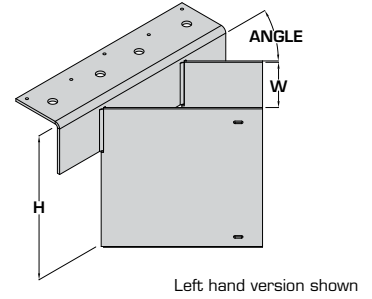
FMHIO - OFFSET



FMHIO-W-H-OFFSET DIRECTION

Example:
FMHIO-75-225-R
FMHIO-75-255-L

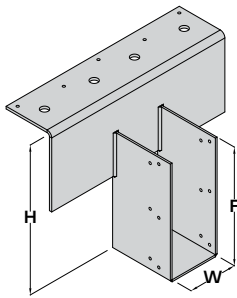
FMHIS - SKEW



FMHIS-W-H-DIRECTION-ANGLE

Example:
FMHIS-75-225-L-45
FMHIS-100-250-R-67.5
(skews from 30-87.5° in 2.5° increments)

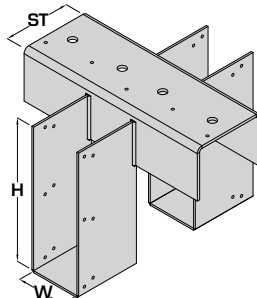
FMHID - DROPPED



FMHID-W-H-F

Example:
FMHID-75-260-240

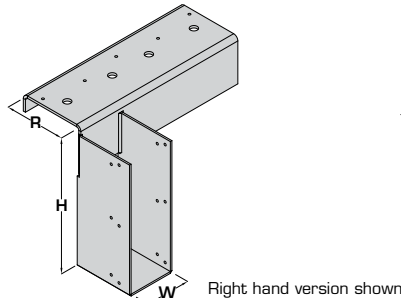
FMHIST - STRADDLE



FMHIST-W-H-ST

Example:
FMHIST-75-225-100
(2mm added to straddle for tolerance)

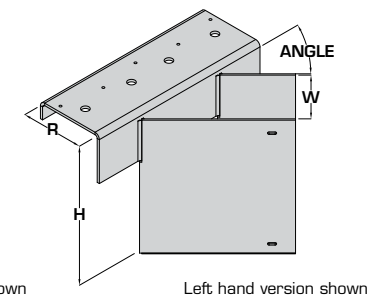
FMHIOR - OFFSET & RETURN



FMHIOR-W-H-OFFSET DIRECTION-R

Example:
FMHIOR-75-225-R-100
(2mm added to return for tolerance)

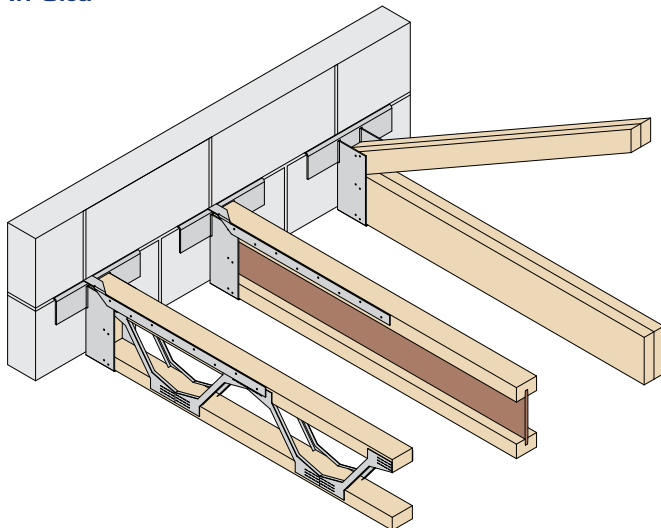
FMHIRS - SKEW & RETURN



FMHIRS-W-H-DIRECTION-ANGLE-R

Example:
FMHIRS-75-225-R-45-100
FMHIRS-75-225-L-45-100

In Situ



- Suitable for use with Open Web Joists, I-Joists and trusses
- Floor can be propped with acroprops and fully decked but must not be fully loaded until the masonry above has fully cured



- A minimum of **3 courses (675mm)** of masonry above is required for hanger to achieve loads stated
- The masonry above must be fully cured for **28 days** prior to loading the floor
- All hangers in this range do not provide restraint, therefore restraint straps may be required for joist applications (see pages 132 - 133)

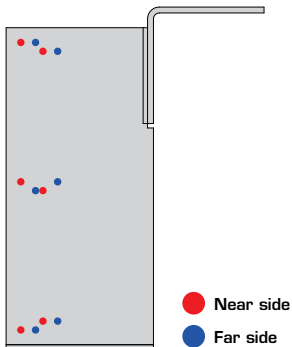
Flexible Masonry Hanger

Load Data

Hanger Type	Fixings (3.4 x 35mm) Incoming	Angle	Safe Working Loads (kN)					Characteristic Capacity (kN)				
			Uplift Short Term	Masonry Crushing Strength				Uplift	Masonry Crushing Strength			
				2.8N/mm ²	3.5N/mm ²	7.0N/mm ²	Padstone		2.8N/mm ²	3.5N/mm ²	7.0N/mm ²	Padstone
FMHIS FMHIRS	4	30 - 42.5°	1.00	4.99	6.24	9.20	10.00	2.00	9.98	12.48	18.30	20.00
		45 - 57.5°	1.00	6.24	7.80	11.00	11.90	2.00	12.48	15.60	22.90	25.00
		60 - 72.5°	1.00	7.48	9.36	12.90	13.80	2.00	14.97	18.72	27.50	30.00
		75 - 87.5°	1.00	8.72	10.90	14.80	15.60	2.00	17.44	21.80	32.00	35.00
FMHI FMHIR FMHID FMHIO FMHIOR FMHIST	4	90°	1.00	10.51	13.14	21.60	21.60	2.00	19.83	24.79	43.00	43.00

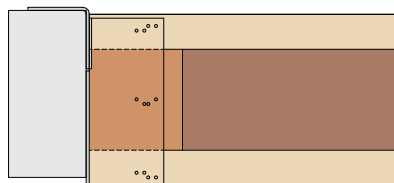
Enhanced Uplift

- Fixings into the incoming joist/truss are required to resist uplift
- Increased uplift figures can be achieved by nailing the additional triangular nail holes into the incoming member

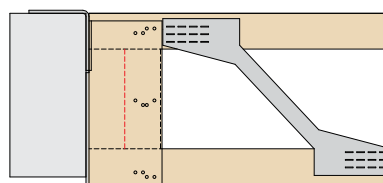


Hanger Depth (H) (mm)	Min Timber Depth (mm)	Fixings (3.4 x 35mm)	Safe Working Loads (kN)			Characteristic Capacity (kN)
		Incoming	Uplift - Short Term	Uplift - Medium Term	Uplift - Long Term	Uplift
150	97	8	2.54	2.41	2.11	4.67
175 - 195	122					
225 - 240	147					
250	147					
300	172					
350	197					
400	222	12	7.70	7.33	6.41	14.72
150 - 400	FULL DEPTH					

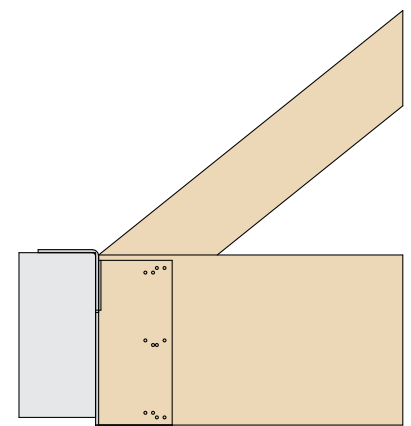
- Enhanced uplift only applicable for 90° hangers over 72mm wide



Web stiffeners required for I-Joists



2No end blocks required for Open Web Joists
Block must be the full width of the joist



Minimum bottom chord depth or vertical required for trusses

Plates omitted for clarity