

## Masonry Joist Hanger

European Community Registered Design



The JHI hanger is a traditional timber to masonry hanger range designed for use with I-joists, open web & solid timber joists/trusses.

### Features & Benefits

- The same air leakage values of a wall with no protrusions, forming a major contribution towards Part L1 Building Regulations
- Approved and tested for use with H&H Thin Joint System (Contact Technical for approved installation guide)

### Material Specification

- Galvanised mild steel - Z600

### Fixings

Fixings required into incoming member only. No fixings required into masonry.

Code	Description	Box Qty
547389	3.4 x 35mm Square Twist Nails - LOOSE	500
141185	3.4 x 35mm Square Twist Nails - COLLATED*	2,500

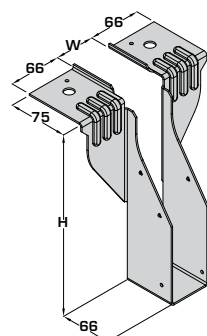
\*For use with Paslode PPN35C

### Available Sizes

Hanger Width (W) (mm)	Hanger Depth (H) (mm)								
	150	175	195	225	240	250	300	350	400
39	JHI-39-150	JHI-39-175	JHI-39-195	JHI-39-225	JHI-39-240	JHI-39-250	JHI-39-300	JHI-39-350	JHI-39-400
46	JHI-46-150	JHI-46-175	JHI-46-195	JHI-46-225	JHI-46-240	JHI-46-250	JHI-46-300	JHI-46-350	JHI-46-400
50	JHI-50-150	JHI-50-175	JHI-50-195	JHI-50-225	JHI-50-240	JHI-50-250	JHI-50-300	JHI-50-350	JHI-50-400
55	-	-	-	JHI-55-225	JHI-55-240	-	JHI-55-300	-	-
61	-	-	JHI-61-195	JHI-61-225	JHI-61-240	-	JHI-61-300	JHI-61-350	JHI-61-400
65	JHI-65-150	JHI-65-175	JHI-65-195	JHI-65-225	JHI-65-240	JHI-65-250	JHI-65-300	JHI-65-350	JHI-65-400
72	-	-	JHI-72-195	JHI-72-225	JHI-72-240	-	JHI-72-300	JHI-72-350	JHI-72-400
75	JHI-75-150	JHI-75-175	JHI-75-195	JHI-75-225	JHI-75-240	JHI-75-250	JHI-75-300	JHI-75-350	JHI-75-400
78	-	-	JHI-78-195	JHI-78-225	JHI-78-240	JHI-78-250	JHI-78-300	JHI-78-350	JHI-78-400
92	JHI-92-150	JHI-92-175	JHI-92-195	JHI-92-225	JHI-92-240	JHI-92-250	JHI-92-300	JHI-92-350	JHI-92-400
100	JHI-100-150	JHI-100-175	JHI-100-195	JHI-100-225	JHI-100-240	JHI-100-250	JHI-100-300	JHI-100-350	JHI-100-400
110	-	-	-	JHI-110-225	JHI-110-240	-	JHI-110-300	-	-
122	-	-	JHI-122-195	JHI-122-225	JHI-122-240	-	JHI-122-300	JHI-122-350	JHI-122-400
125	-	-	JHI-125-195	JHI-125-225	JHI-125-240	JHI-125-250	JHI-125-300	JHI-125-350	JHI-125-400
130	-	-	JHI-130-195	JHI-130-225	JHI-130-240	-	JHI-130-300	JHI-130-350	-
138	-	-	JHI-138-195	JHI-138-225	JHI-138-240	JHI-138-250	JHI-138-300	JHI-138-350	JHI-138-400
144	-	-	JHI-144-195	JHI-144-225	JHI-144-240	-	JHI-144-300	JHI-144-350	JHI-144-400
150	-	-	JHI-150-195	JHI-150-225	JHI-150-240	JHI-150-250	JHI-150-300	JHI-150-350	JHI-150-400
156	-	-	-	JHI-156-225	JHI-156-240	-	-	-	-
183	-	-	JHI-183-195	JHI-183-225	JHI-183-240	-	JHI-183-300	JHI-183-350	JHI-183-400
198	-	-	JHI-198-195	JHI-198-225	JHI-198-240	JHI-198-250	JHI-198-300	JHI-198-350	JHI-198-400

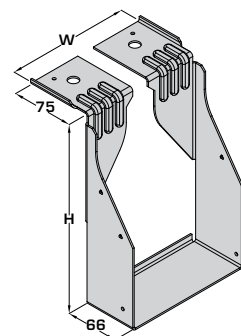
### Dimensions (mm)

#### JHI - 39-138MM WIDE



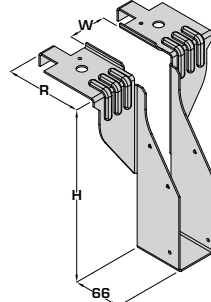
JHI-W-H  
Example: JHI-50-225

#### JHI - 144-198MM WIDE



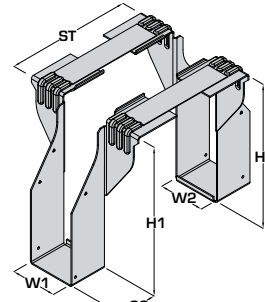
JHI-W-H  
Example: JHI-150-225

#### JHIR - RETURN



JHIR-W-H-R  
Example: JHIR-50-225-100  
(Returns available to suit 100 & 140mm wide block work)

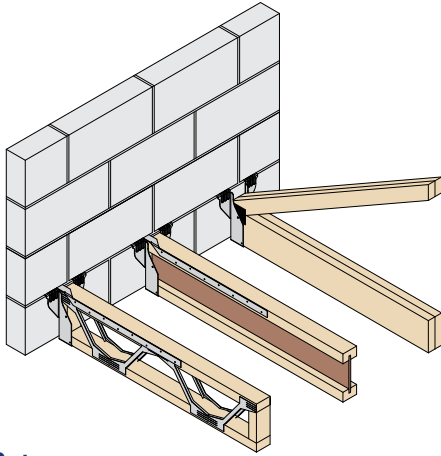
#### JHIST - STRADDLE



JHIST-W-H-ST or JHIST-W1-H1-ST-W2-H2  
Example: JHIST-50-225-100  
Example: JHIST-50-225-100-75-225

## Masonry Joist Hanger

### In Situ



- Suitable for use with Open Web Joists, I-Joists and trusses
- Floor can be propped with acroprops and fully decked but must not be fully loaded until the masonry above has fully cured



- A minimum of **3 courses (675mm)** of masonry above is required for hanger to achieve loads stated
- The masonry above must be fully cured for **28 days** prior to loading the floor
- All hangers in this range do not provide restraint, therefore restraint straps may be required for joist applications (see pages 132 - 133)

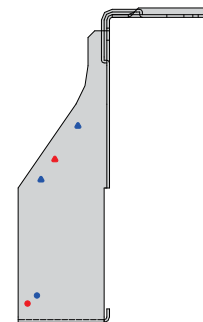
### Load Data

Product Code	Masonry Above (Min 675mm)	Fixings (3.4 x 35mm)	Uplift Short Term	Safe Working Loads (kN)				Characteristic Capacity (kN)				
				Masonry Crushing Strength				Uplift	Masonry Crushing Strength			
				2.8N/mm <sup>2</sup>	3.5N/mm <sup>2</sup>	7.0N/mm <sup>2</sup>			2.8N/mm <sup>2</sup>	3.5N/mm <sup>2</sup>	7.0N/mm <sup>2</sup>	
				All widths	All widths	39 - 100mm wide	122 - 198mm wide		All widths	All widths	39 - 100mm wide	122 - 198mm wide
JHI JHIR JHIST	Yes	2	1.00	6.00	7.54	11.00	7.54	2.00*	11.17	13.97	23.04	13.97

### Enhanced Uplift

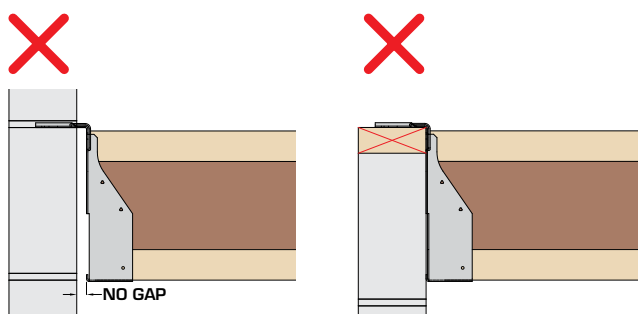
- Fixings into the incoming joist/truss are required to resist uplift
- Increased uplift figures can be achieved by nailing the additional triangular nail holes into the incoming member
- Web stiffeners required for I-Joists, 2No end blocks required for Open Web Joists & minimum bottom chord depth/vertical required for trusses

Fixings (3.4 x 35mm)	Safe Working Loads (kN)			Characteristic Capacity (kN)
	Incoming	Uplift - Short Term	Uplift - Long Term	
5	2.25	2.14	1.87	4.50



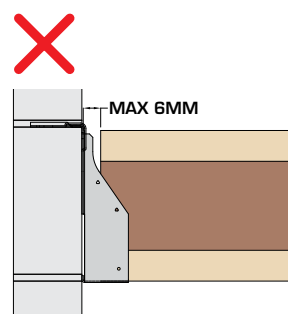
Hanger Depth (mm)	Min Timber Depth (mm)
150	84
175 - 195	122
225 - 240	172
250	195
300	235
350	300
400	350

### Incorrect Installation

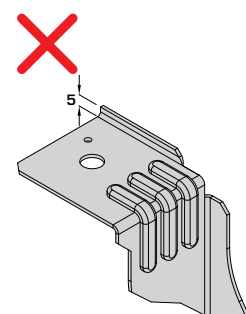


Do not install the hanger with a gap between the hanger and the face of the block work.

Do not install the hanger onto a timber wall plate.



Do not install the hanger with a gap exceeding 6mm between the joist/truss and the hanger.



Do not flatten the 5mm upstands on the hanger top flanges. These are critical to the performance.