

TA-1



Framing Anchor



The TA-1 provides a positive connection on two planes without encroaching into the internal space.

Features & Benefits

- Eliminates damage from skew nailing
- Single anchor means the part is not width dependant

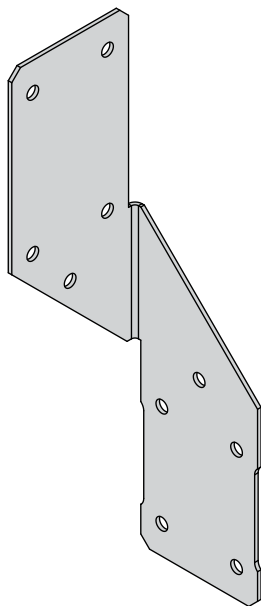
Material Specification

- Galvanised mild steel - Z275

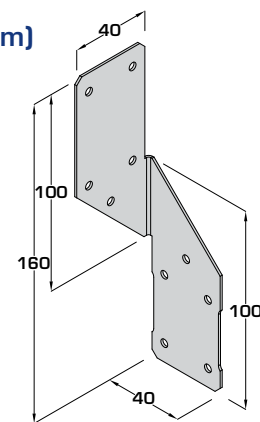
Fixings

Code	Description	Box Qty
547389	3.4 x 35mm Square Twist Nails - LOOSE	500
141185	3.4 x 35mm Square Twist Nails - COLLATED*	2,500

*For use with Paslode PPN35CI



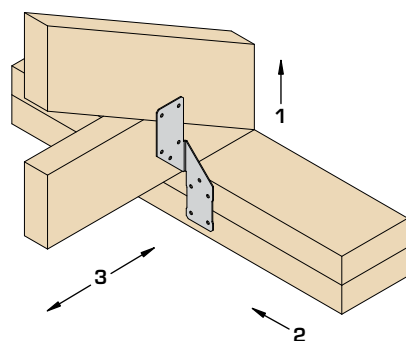
Dimensions (mm)



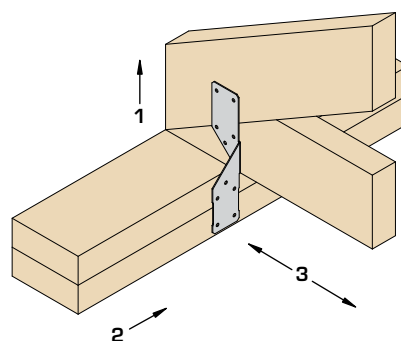
In Situ

Double wall plate required for all installations (min 75mm) unless using in a timber frame application where the framing anchor can be fitted to the head binder.

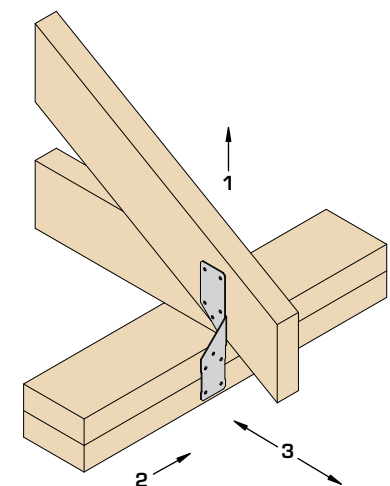
1 No TA-1 standard installation**



1 No TA-1 installed to opposite side**



1 No TA-1 installed to outer face**



**Also suitable to fix to the outside of the wall plate depending on truss heel detail.

(Plates omitted for clarity)

Load Data

Product Code	Fixings (3.4 x 35mm)		Safe Working Loads (kN)		Characteristic Capacity (kN)
	Header	Incoming	Load Direction	Solid Timber Header (Min C20)	Solid Timber Header (Min C20)
				Short Term	
TA-1	5	5	1	1.53	3.12
			2	0.88	1.55
			3	1.10	1.84

All values are per anchor.

