

Truss Clip



The TC is our standard truss clip for securing trussed rafters to single wall plates.

Features & Benefits

- Eliminates damage from skew nailing into the wall plate

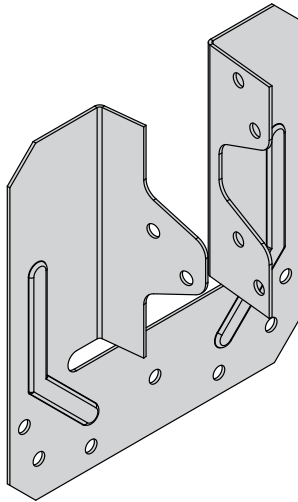
Material Specification

- Galvanised mild steel - Z275

Fixings

Code	Description	Box Qty
547389	3.4 x 35mm Square Twist Nails - LOOSE	500
141185	3.4 x 35mm Square Twist Nails - COLLATED*	2,500

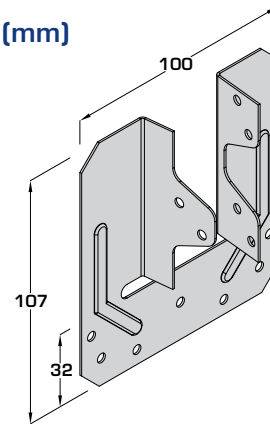
*For use with Paslode PPN35Ci



Available Sizes

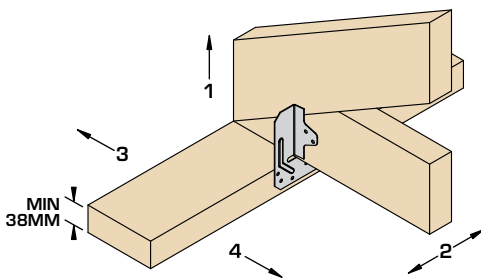
Product Code	Truss Width (mm)
TC-38	35
TC-50	44-47

Dimensions (mm)

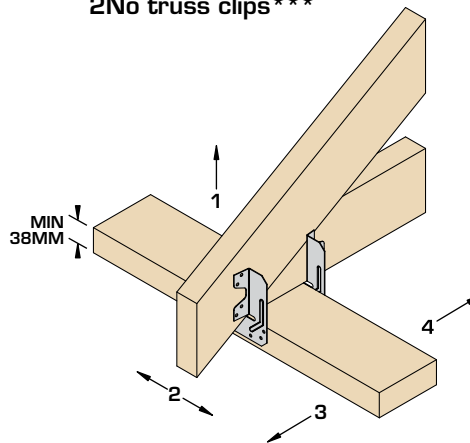


In Situ

1 No truss clip***



2 No truss clips***

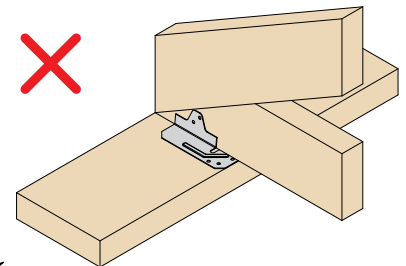


***Also suitable to fix to the outside of the wall plate depending on truss heel detail.

(Plates omitted for clarity)



Incorrect Installation



Do not install truss clips horizontally onto the wall plate

Load Data

Product Code	Fixings (3.4 x 35mm)		Safe Working Loads (kN)		Characteristic Capacity (kN)
	Header	Incoming	Load Direction	Solid Timber Header (Min C16)	Solid Timber Header (Min C16)
				Short Term	
TC-38/TC-50	6	6	1	2.35 (4.70**)	5.13 (10.26**)
			2	0.90 (1.80**)	2.00 (4.00**)
			3	1.29 (1.74**)	0.70 (2.37**)
			4	0.45 (1.74**)	1.67 (2.37**)

**Values for 2No truss clips.